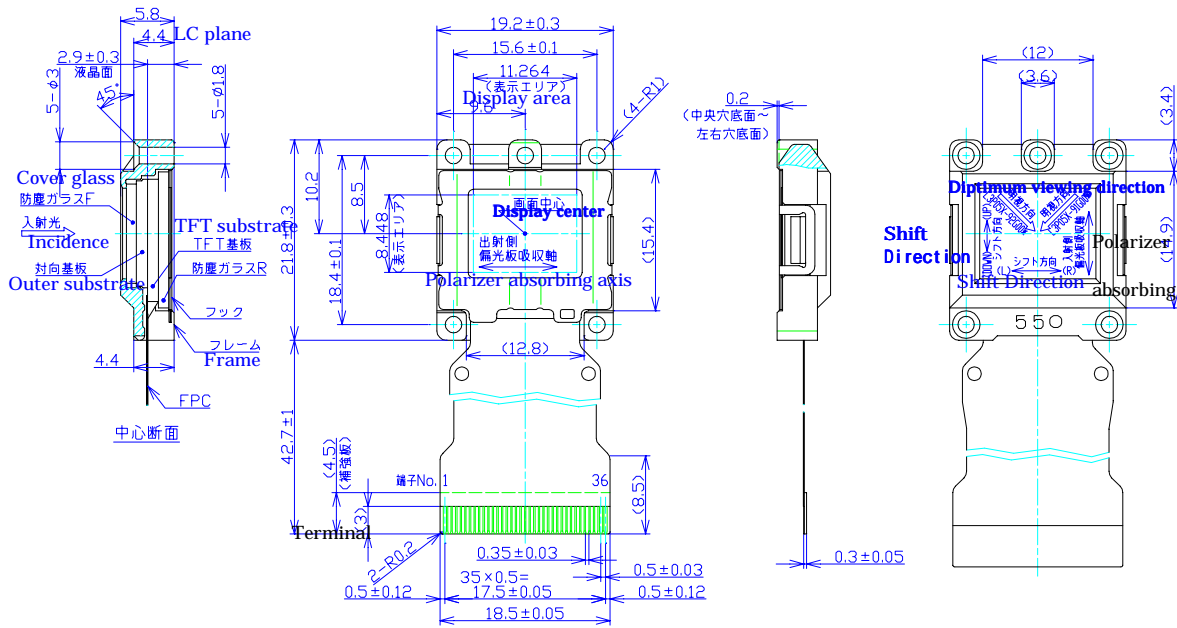


L3P05X-9x LCD module

● Basic specifications

Photo		
Technology		D7
Screen size	Diagonal	1.4cm(0.55")
	H x V (mm)	11.264 x 8.448
Pixel number	H x V	1024 x 768 (XGA)
Pixel pitch	H x V (μm)	11.0 x 11.0
Outside Dimension	H x V x D (mm)	19.2 x 21.8 x 5.8
Aspect Ratio		4 : 3
Display Colors		Monochrome
Micro Lens Array		Without Micro Lens Array
Liquid Crystal		TN mode

● Dimensional Outline Drawing



No part of this material may be reproduced or duplicated in any form or any means without the written permission of EPSON. EPSON reserves the right to make changes to this material without notice.

©SEIKO EPSON CORPORATION 2009, All rights reserved.

SEIKO EPSON CORPORATION TFT OPERATIONS DIVISION

TFT Business Planning Department
 TFT Business Planning Group
 421-8, Hino, Hino-shi, Tokyo 191-8501, JAPAN
 Phone: +81-(0)42-587-5814 Fax: +81-(0)42-587-5117