
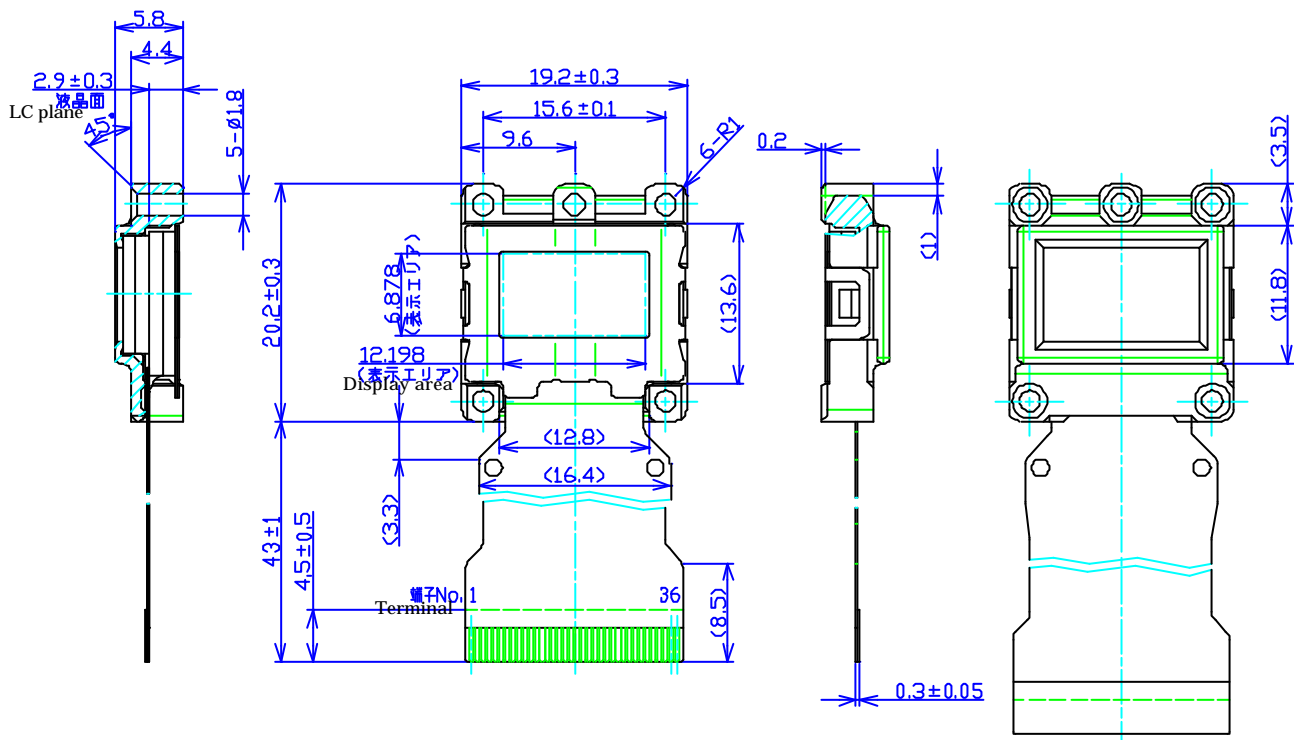


# L3D05H-6x LCD module

## ● Basic specifications

Photo		
Technology		D5
Screen size	Diagonal	1.40cm ( 0.55" )
	H x V (mm)	12.198 x 6.878
Pixel number	H x V	1280 x 720 (720p)
Pixel pitch	H x V (μ m)	9.5 x 9.5
Outside Dimension	H x V x D (mm)	19.2 x 20.2 x 5.8
Aspect Ratio		16:9
Display Colors		Monochrome
Micro Lens Array		With Micro Lens Array
Liquid Crystal		TN mode

## ● Dimensional Outline Drawing



No part of this material may be reproduced or duplicated in any form or any means without the written permission of EPSON. EPSON reserves the right to make changes to this material without notice.

©SEIKO EPSON CORPORATION 2008, All rights reserved.

### SEIKO EPSON CORPORATION TFT OPERATIONS DIVISION

TFT Business Planning Department  
TFT Business Planning Group  
421-8, Hino, Hino-shi, Tokyo 191-8501, JAPAN  
Phone: +81-(0)42-587-5814 Fax: +81-(0)42-587-5117