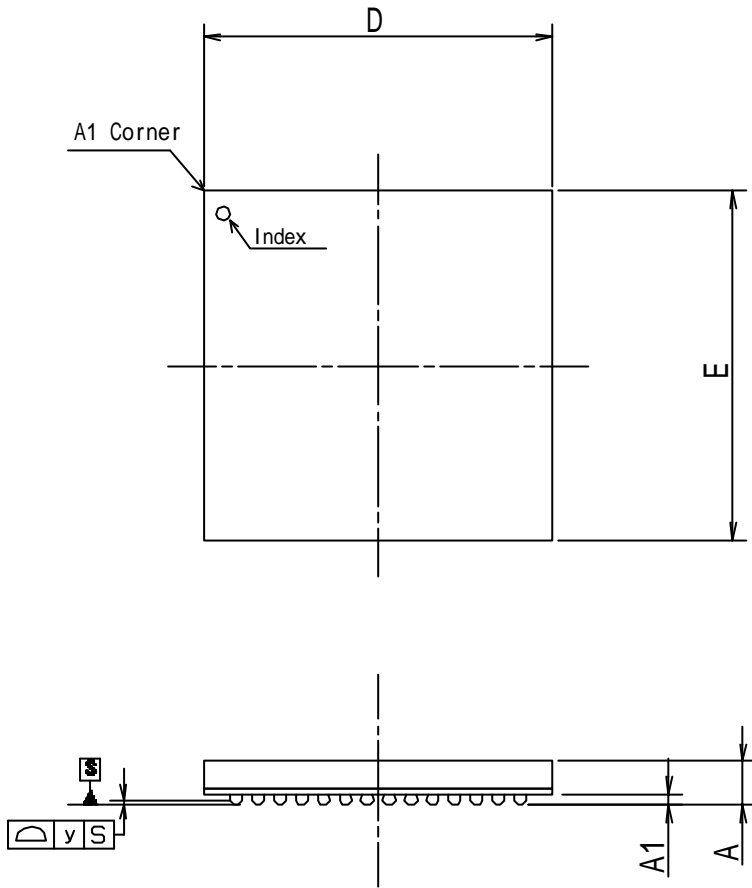
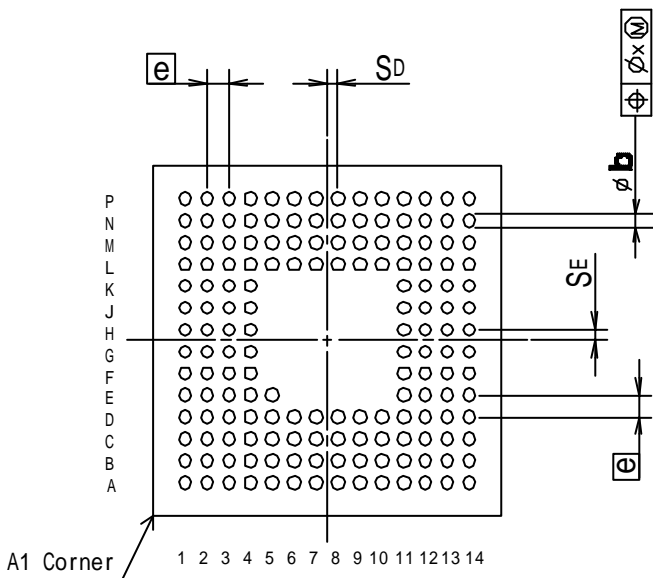


Top View



Bottom View



Symbol	Dimension in Millimeters		
	Min	Nom	Max
D	-	8	-
E	-	8	-
A	-	-	1.2
A ₁	-	0.23	-
e	-	0.5	-
b	0.26	-	0.36
x	-	-	0.08
y	-	-	0.1
S_D	-	0.25	-
S_E	-	0.25	-

Unit : mm

TITLE

P-TFBGA-161-0808-0.50(PFBGA8U-161)

SEIKO EPSON CORP.