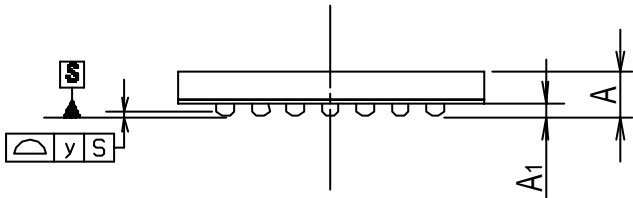
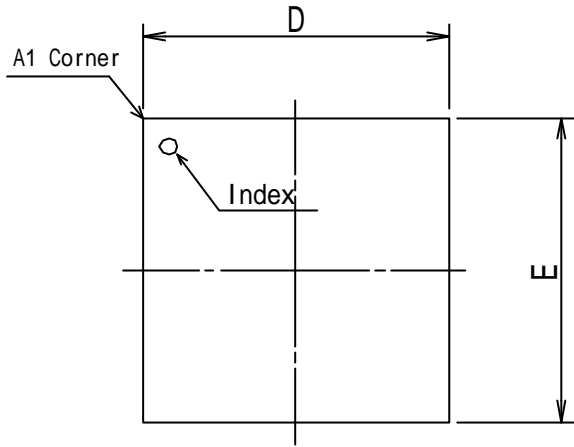
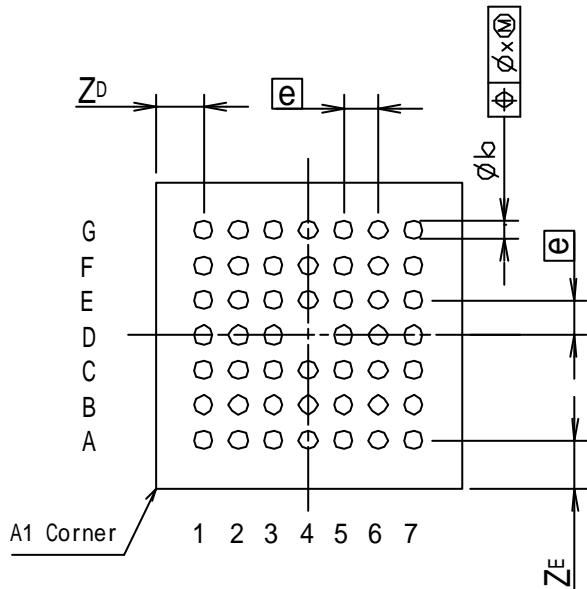


Top View



Bottom View



Symbol	Dimension in Millimeters		
	Min	Nom	Max
D	-	7	-
E	-	7	-
A	-	-	1.2
A ₁	-	0.3	-
e	-	0.8	-
b	0.38	-	0.48
x	-	-	0.08
y	-	-	0.1
Z _D	-	1.1	-
Z _E	-	1.1	-

Unit : mm

TITLE

P-TFBGA-048-0707-0.80(PFBGA7U-48)

SEIKO EPSON CORP.