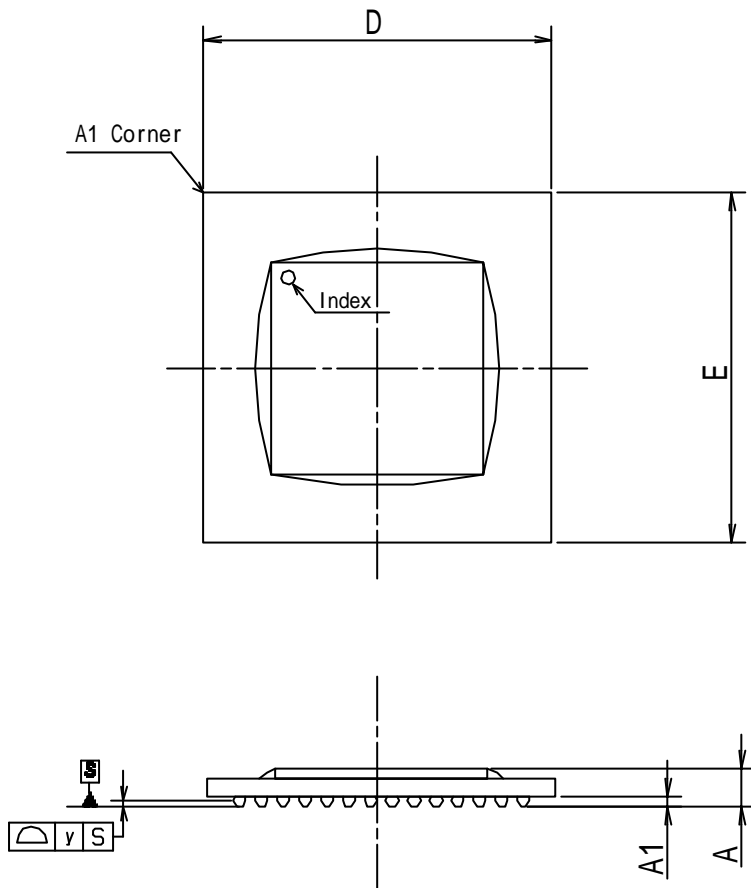
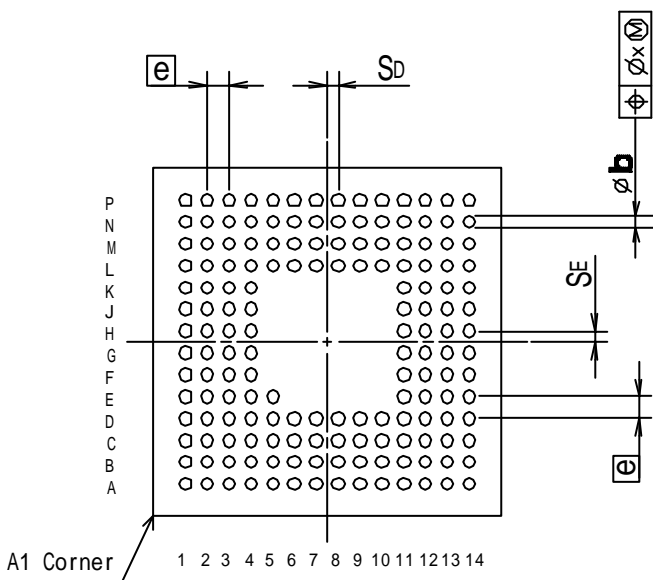


Top View



Bottom View



Symbol	Dimension in Millimeters		
	Min	Nom	Max
D	-	8	-
E	-	8	-
A	-	-	1
A1	-	0.23	-
e	-	0.5	-
b	0.25	-	0.35
x	-	-	0.08
y	-	-	0.1
S_D	-	0.25	-
SE	-	0.25	-

Unit : mm

TITLE

VFCBGA-161-0808-0.50(FCBGA8D-161)

SEIKO EPSON CORP.