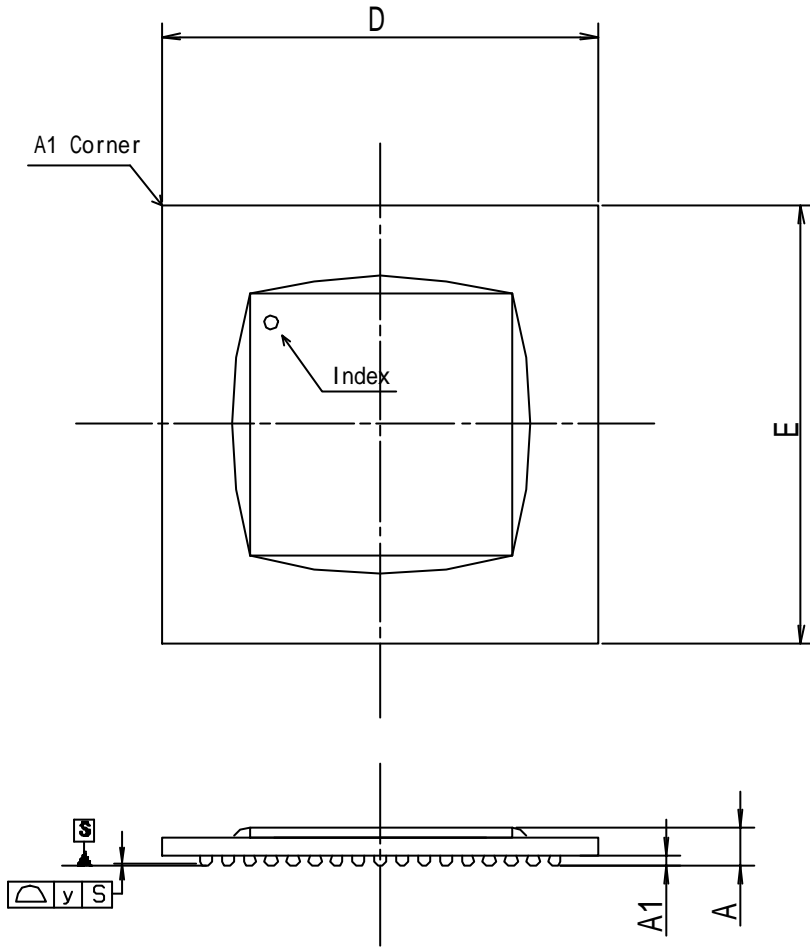
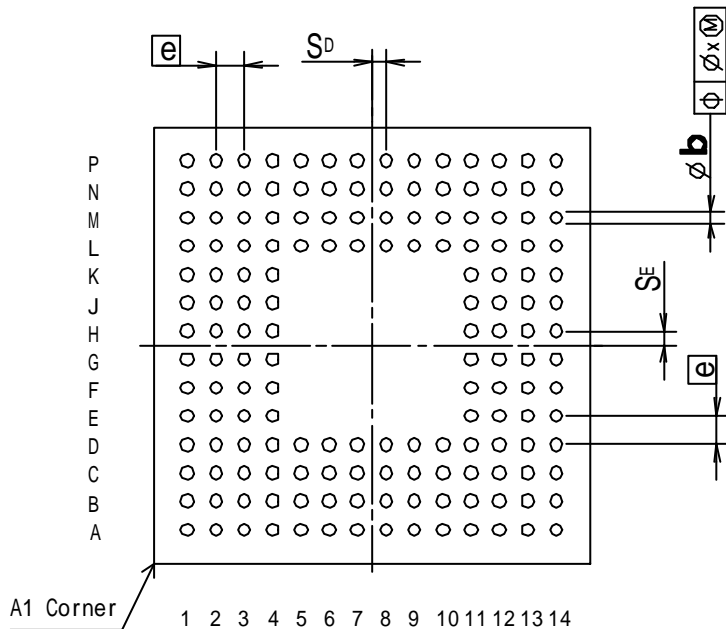


Top View



Bottom View



Symbol	Dimension in Millimeters		
	Min	Nom	Max
D	/	10	/
E	/	10	/
A	-	-	1
A1	/	0.23	/
e	-	0.65	-
b	0.25	/	0.35
x	-	-	0.08
y	-	-	0.1
S ^D	-	0.325	-
S ^E	-	0.325	-

Unit : mm

TITLE

VFCBGA-160-1010-0.65(FCBGA10D-160)

SEIKO EPSON CORP.