


S1C33 Manual Errata

Subject: C33 Core			
Relevant manuals/documents	Errata No.	Description	Page
S5U1C33001H1400 Manual	411437800	3 COMPONENTS INCLUDED WITH PACKAGE	7 to 8
		4.3 Top panel	15
<p>Error</p> <p>3. COMPONENTS INCLUDED WITH PACKAGE</p> <p>.....</p> <p>(5) Target system power supply cable (4-4pin) 1</p> <p>(6) Target system interface connectors (10-pin) 1</p> <p>(7) Target system interface connectors (4-pin)..... 1</p> <p>(8) Target system power supply connectors (4-pin) 1</p> <p>(9) User registration card.....English/Japanese, 1 each</p> <p>(10) Warranty card.....English/Japanese, 1 each</p> <p>(11) Usage precautions.....English/Japanese, 1 each</p> <p>(12) Manual download guide.....English/Japanese, 1 each</p>			
			
<p>Fig 2 Package components</p>			
<p>Correction</p> <p>3. COMPONENTS INCLUDED WITH PACKAGE</p> <p>.....</p>			

- (5) Target system power supply cable (4-4pin) (One side Flat type)1
 - (6) Target system power supply cable (4-4pin)1
 - (7) Target system interface connectors (10-pin) 1
 - (8) Target system interface connectors (4-pin)..... 1
 - (9) Target system power supply connectors (4-pin) 1
 - (10) User registration card.....English/Japanese, 1 each
 - (11) Warranty card.....English/Japanese, 1 each
 - (12) Usage precautions.....English/Japanese, 1 each
 - (13) Manual download guide.....English/Japanese, 1 each
- * Please contact us if you need (6) of the target system power supply cable.

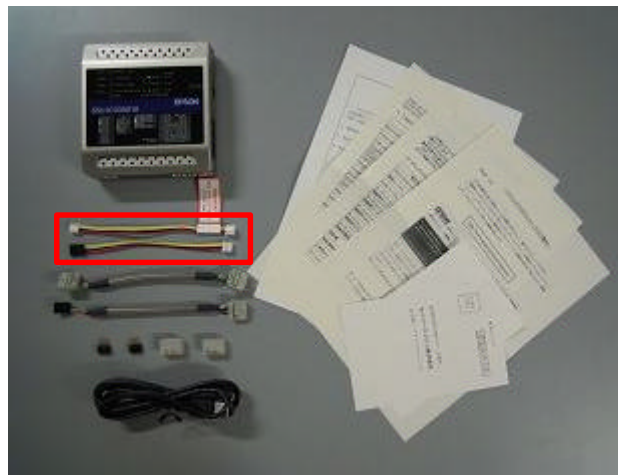


Fig 2 Package components

Error

4.3 Top panel

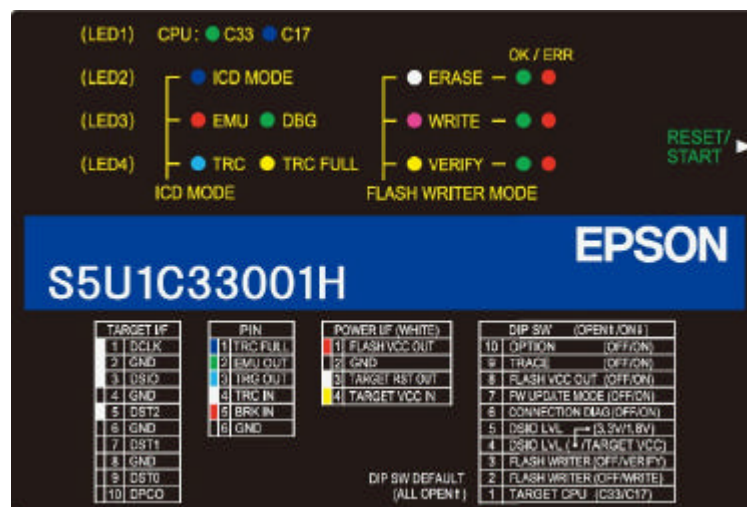


Fig 6 Top panel

Correction

4.3 Top panel

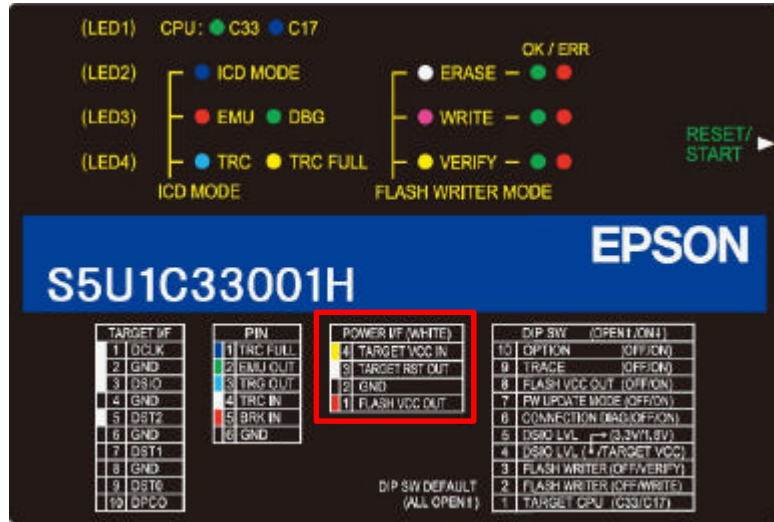


Fig 6 Top panel


* Please contact us if you do not have the product to which the top panel has been changed.

S1C33 Manual Errata

Subject: C33 Core			
Relevant manuals/documents	Errata No.	Description	Page
S5U1C33001H1400 Manual	411437800	5.3 Connector for flash programmer power supply	22

Error

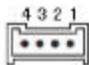
Table 5 Pin assignment of the flash programmer power supply connector (white)

	No.	Pin name	I/O	Pin function
	1	FLASH VCC OUT	O	Flash programming voltage output
	2	GND	-	Power supply (GND)
	3	TARGET RST OUT	O	Target system reset signal output
	4	TARGET VCC IN	I	Target system voltage input

* Note the sequence of Pin Nos. (This sequence is reversed in the connector for connecting to target systems.)

Correction

Table 5 Pin assignment of the flash programmer power supply connector (white)

	No.	Pin name	I/O	Pin function
	1	FLASH VCC OUT	O	Flash programming voltage output
	2	GND	-	Power supply (GND)
	3	TARGET RST OUT	O	Target system reset signal output
	4	TARGET VCC IN	I	Target system voltage input

* Note the sequence of Pin Nos. (This sequence is reversed in the connector for connecting to target systems.)

S5U1C Manual Errata

Subject: Use of S5U1C33001H when powered off			
Relevant manuals/documents	Errata No.	Description	Page
S5U1C33001H (Ver4) (S5U1C33001H1200 data sheet)	410223600	- Note on use of S5U1C33001H	23
S5U1C33001H (Ver4.1) (S5U1C33001H1300 data sheet)	410826000	- Note on use of S5U1C33001H	23
S5U1C33001H1400 manual	411437600	10.3 Note on use of S5U1C33001H	35
Error No descriptions on the subject mentioned above.			
Correction Descriptions are added. The relevant section in the S5U1C33001H1400 manual is 10.3.10.			
About the use of S5U1C33001H when powered off When the target IC is operated while the S5U1C33001H connected to it is powered off, leakage current may flow from the target IC to the S5U1C33001H. If this happens, the behavior of the target IC is not guaranteed, so disconnect the target system connecting cable from the target IC before operating it. The target IC operates correctly if the DISO pin of the target system connection cable is not connected when the S5U1C33001H is powered on. If the DSIO pin is connected, the target IC may go into the debugging mode.			

S1C33 Manual errata

C33 cores supported C33			
Object manuals	Document code	Object number	
S5U1C33001H (Ver.6)	411437800	SPECIFICATIONS	
(Error)			
Table 11 Connectors recommended for target system			
Components	Items	Specifications	Remarks
Target system interface cable (4-pin)	Connectors	4-pin(Straight):HKP04M5S(manufactured by Honda Tsushin) 4-pin(low angle):HKP04M5LS(manufactured by Honda Tsushin)	
Target system interface cable(4-pin)	Connectors	10-pin(Straight):J3654-6002 SC (manufactured by 3M) 10-pin(low angle):J3654-5002 SC (manufactured by 3M)	
Flash programmer power supply cable(4-pin)	Connectors	4-pin(Straight):HKP04M5S(manufactured by Honda Tsushin) 4-pin(low angle):HKP04M5LS(manufactured by Honda Tsushin)	
(Correct)			
Table 11 Connectors recommended for target system			
Components	Items	Specifications	Remarks
Target system interface cable (4-pin)	Connectors	4-pin(Straight):HKP04M5S(manufactured by Honda Tsushin) 4-pin(low angle):HKP04M5LS(manufactured by Honda Tsushin)	
Target system interface cable(4-pin)	Connectors	10-pin(Straight):J3654-6002 PL (manufactured by 3M) 10-pin(low angle):J3654-5002 PL (manufactured by 3M)	
Flash programmer power supply cable(4-pin)	Connectors	4-pin(Straight):HKP04M5S(manufactured by Honda Tsushin) 4-pin(low angle):HKP04M5LS(manufactured by Honda Tsushin)	