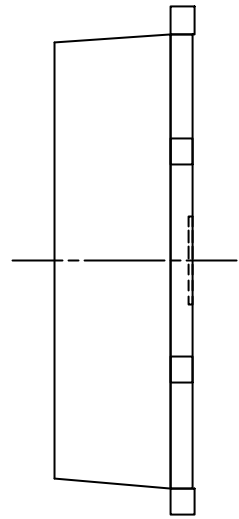
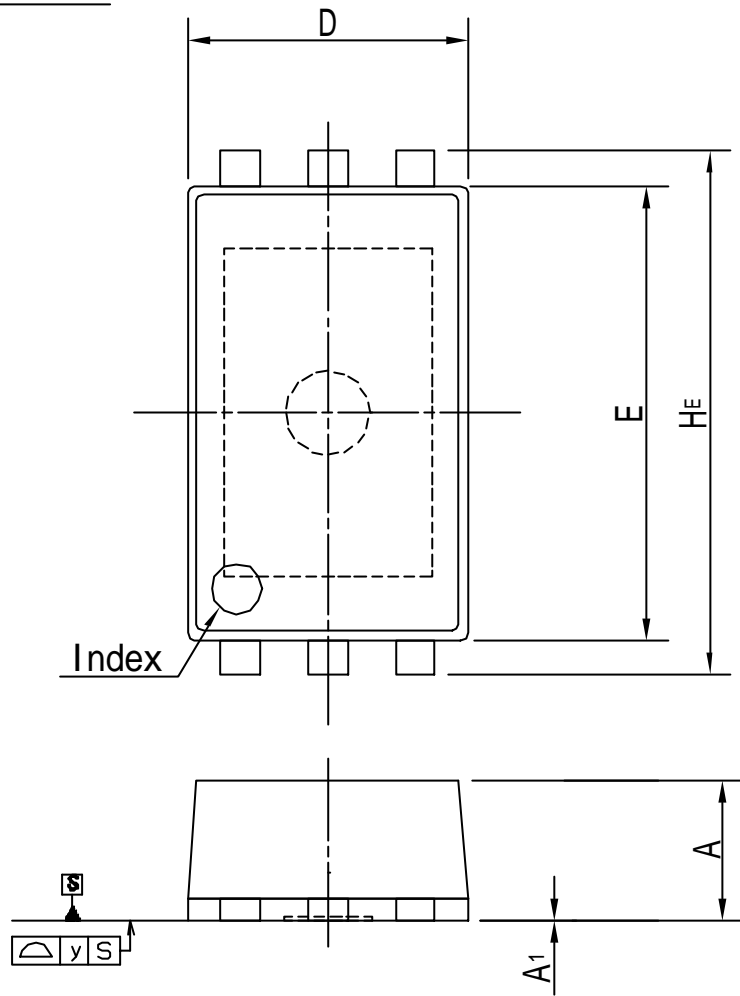
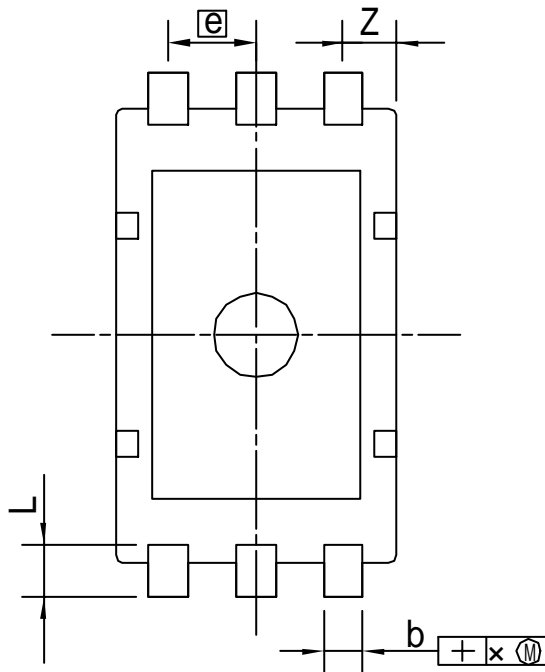


Top View



Bottom View



Symbol	Dimension in Millimeters		
	Min	Nom	Max
D	-	1.6	-
E	-	2.6	-
HE	-	3	-
A	-	-	0.8
A <sub>1</sub>	0	-	-
e	-	0.5	-
b	0.15	-	0.3
x	-	-	0.05
y	-	-	0.05
Z	-	0.3	-
L	0.2	-	0.4

Unit ; mm

TITLE

P-WSON06-02.60 × 01.60-0.50(SON-6PIN)

**SEIKO EPSON CORP.**