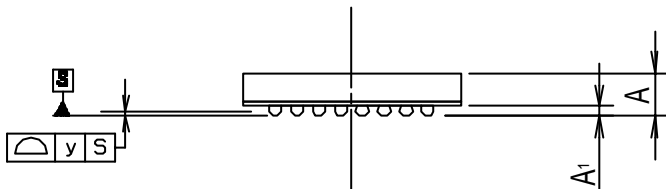
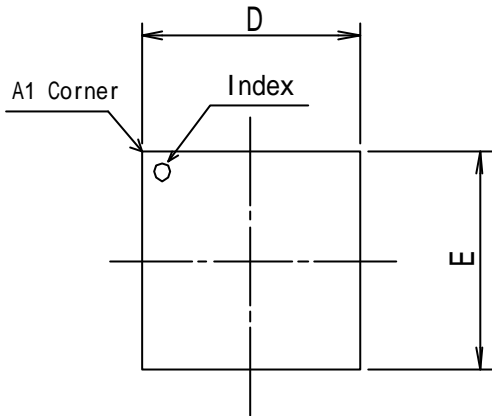
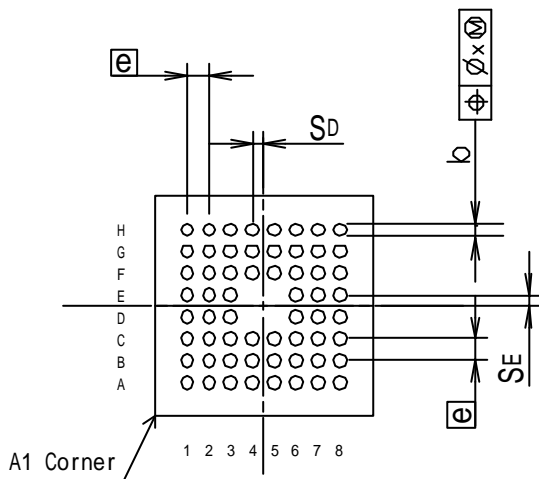


# Top View



# Bottom View



Symbol	Dimension in Millimeters		
	Min	Nom	Max
D	-	5	-
E	-	5	-
A	-	-	1.2
A <sup>1</sup>	-	0.23	-
$e$	-	0.5	-
b	0.26	-	0.36
X	-	-	0.08
Y	-	-	0.1
S <sub>D</sub>	-	0.25	-
S <sub>E</sub>	-	0.25	-

Unit : mm

TITLE

P-TFBGA-060-0505-0.50 (PFBGA5U-60)

**SEIKO EPSON CORP.**