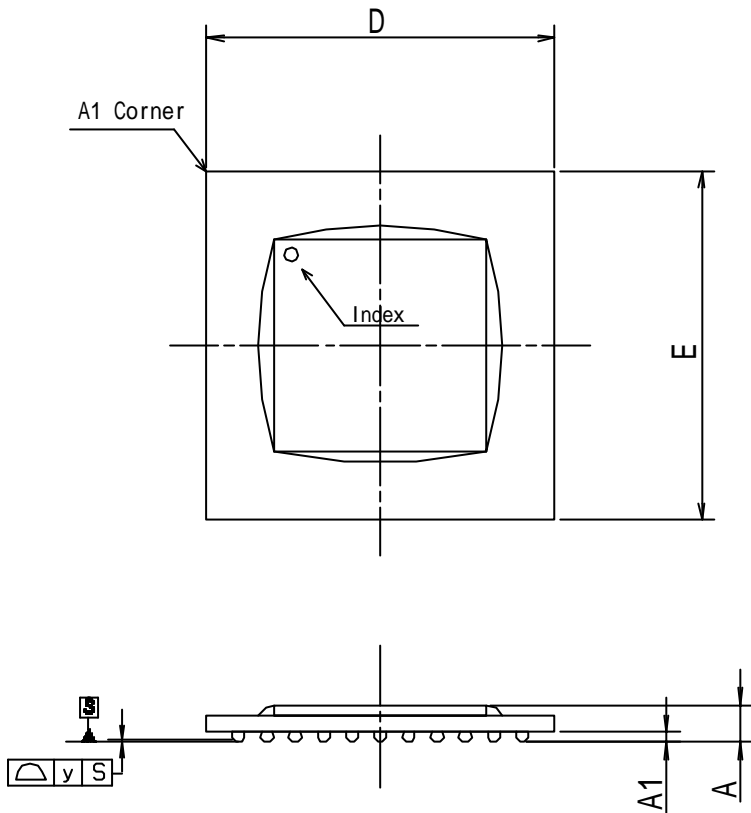
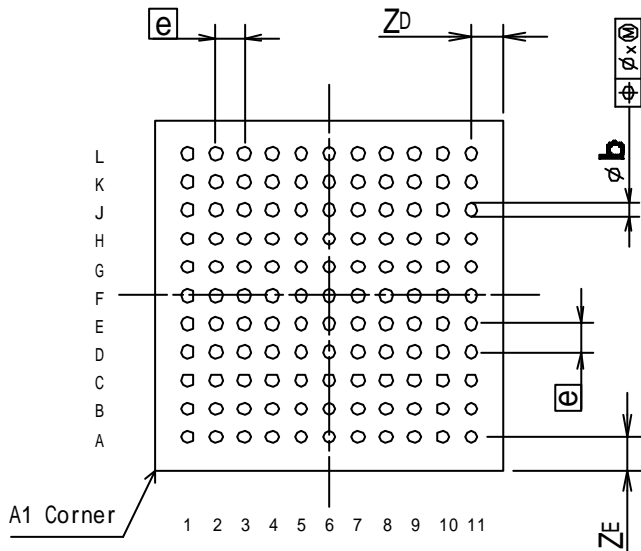


Top View



Bottom View



Symbol	Dimension in Millimeters		
	Min	Nom	Max
D	-	8	-
E	-	8	-
A	-	-	1
A1	-	0.23	-
e	-	0.65	-
b	0.25	-	0.35
x	-	-	0.08
y	-	-	0.1
ZD	-	0.75	-
ZE	-	0.75	-

Unit : mm

TITLE

VFCBGA-121-0808-0.65(FCBGA8D-121)

SEIKO EPSON CORP.