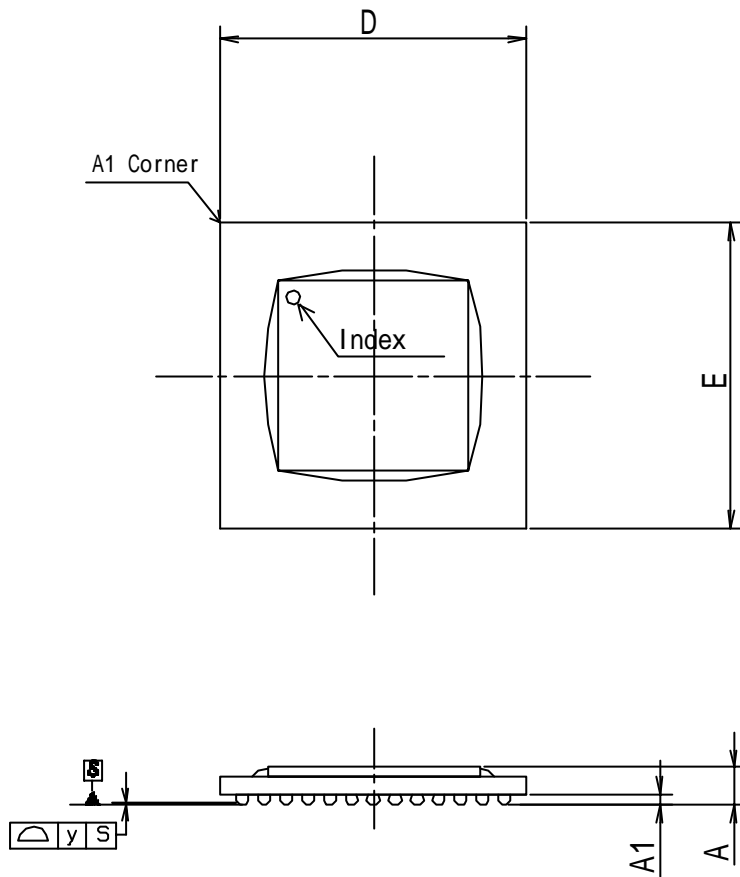
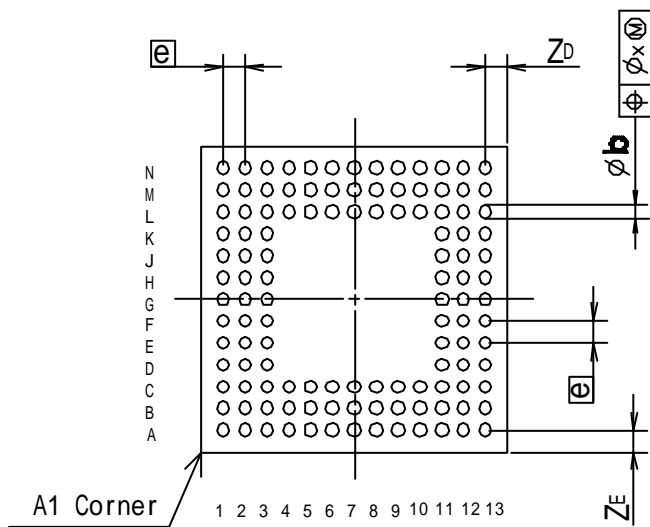


### Top View



### Bottom View



Symbol	Dimension in Millimeters		
	Min	Nom	Max
D	-	7	-
E	-	7	-
A	-	-	1
A1	-	0.23	-
e	-	0.5	-
b	0.25	-	0.35
x	-	-	0.08
y	-	-	0.1
ZD	-	0.5	-
Z E	-	0.5	-

Unit : mm

TITLE

VFCBGA-120-0707-0.50 (FCBGA7D-120)

**SEIKO EPSON CORP.**